

Appl. No. 10/751,179
Amdt. dated February 1, 2006
Reply to Office action of November 2, 2005

In the drawings:

Please amend FIG. 4 to correct the placement of reference number 33 lead line. The lead line is extended slightly. A markup and replacement sheet are submitted herewith.

Appl. No. 10/751,179
Amdt. dated February 1, 2006
Reply to Office action of November 2, 2005

Annotated Sheet

4/6

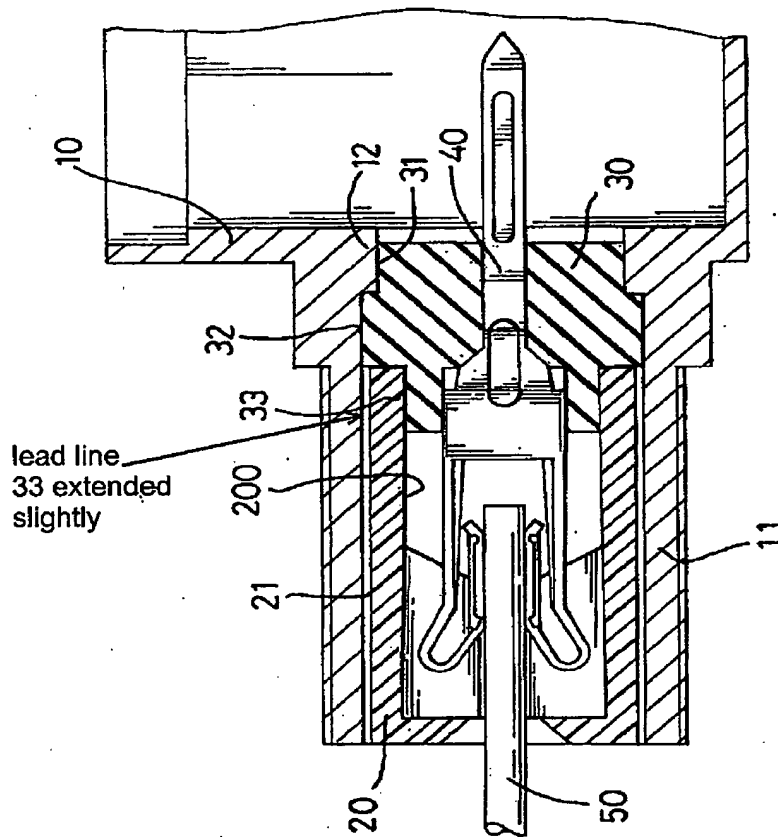


FIG. 4

Appl. No. 10/751,179
Amdt. dated February 1, 2006
Reply to Office action of November 2, 2005

REMARKS

Reconsideration is respectfully requested. Claims 1-18 were present in the application. Claims 1, 3, 10 and 12-18 are amended herein. Claims 2 and 11 are canceled.

In the drawing, reference numeral (33) was erroneously indicated in Fig. 4 as originally filed and is corrected. No new matter is introduced.

Claims 2-3, 5, 7, 9, 11, 12, 14, 16 and 18 of the application are objected to because of informalities including that "the mediate portion" and "the bottom potion" in claim 2 have no antecedent basis, "the bottom portion" in claim 2 should be changed to "a bottom portion of the plug" and "the top portion" in claim 3 has no antecedent basis.

In order to overcome the objection, the applicant amends the above claims to replace "the" before "mediate portion" with "a". Also, "the" before "bottom portion" is replaced with "a". Further, "the bottom portion" in claim 2 (now incorporated into claim 1) is now changed to "a bottom portion of the rubber plug".

Claim 1 is amended to include the allowable subject in the original claim 2 such that claim 1 is allowable over the cited patents. Therefore, the applicant requests reconsideration and favorable action thereto be issued.

Claim 3 is amended to depend on claim 1. Claims 10 and 12-18 are amended to add the term "wherein".

Page 11 — RESPONSE (U.S. Patent Appln. S.N. 10/751,179)
(\\Files\files\Correspondence\February 2006\t1288rtoa020206.doc)

Appl. No. 10/751,179
Amdt. dated February 1, 2006
Reply to Office action of November 2, 2005

Claims 1, 6, 10 and 15 are rejected under 35 U.S.C. §103(a) as allegedly being unpatentable over Tang (US 6071144) in view of admitted prior art. Claims 4, 8, 13 and 17 are rejected under 35 U.S.C. §103(a) as allegedly being unpatentable over Tang (US 6071144) in view of admitted prior art and further in view of Cull (US 5147221). In view of the amendment of claim 1 to include the allowable subject matter of claim 2, the rejection is believed no longer applicable.

In light of the above noted amendments and remarks, this application is believed in condition for allowance and notice thereof is respectfully solicited. The Examiner is asked to contact applicant's attorney at 503-224-0115 if there are any questions.

Respectfully submitted,


James H. Walters, Reg. No. 35,731

Customer number 802
DELLETT AND WALTERS
P.O. Box 82788
Portland, Oregon 97282-0788 US
(503) 224-0115
DOCKET: T-1288

Certification of Facsimile Transmission

I hereby certify that this correspondence is being facsimile transmitted to the Patent and Trademark Office on this February 2, 2006.

